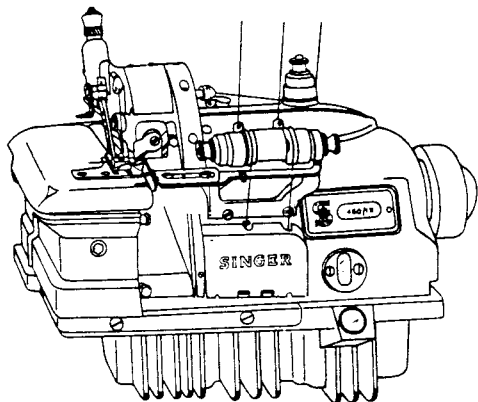
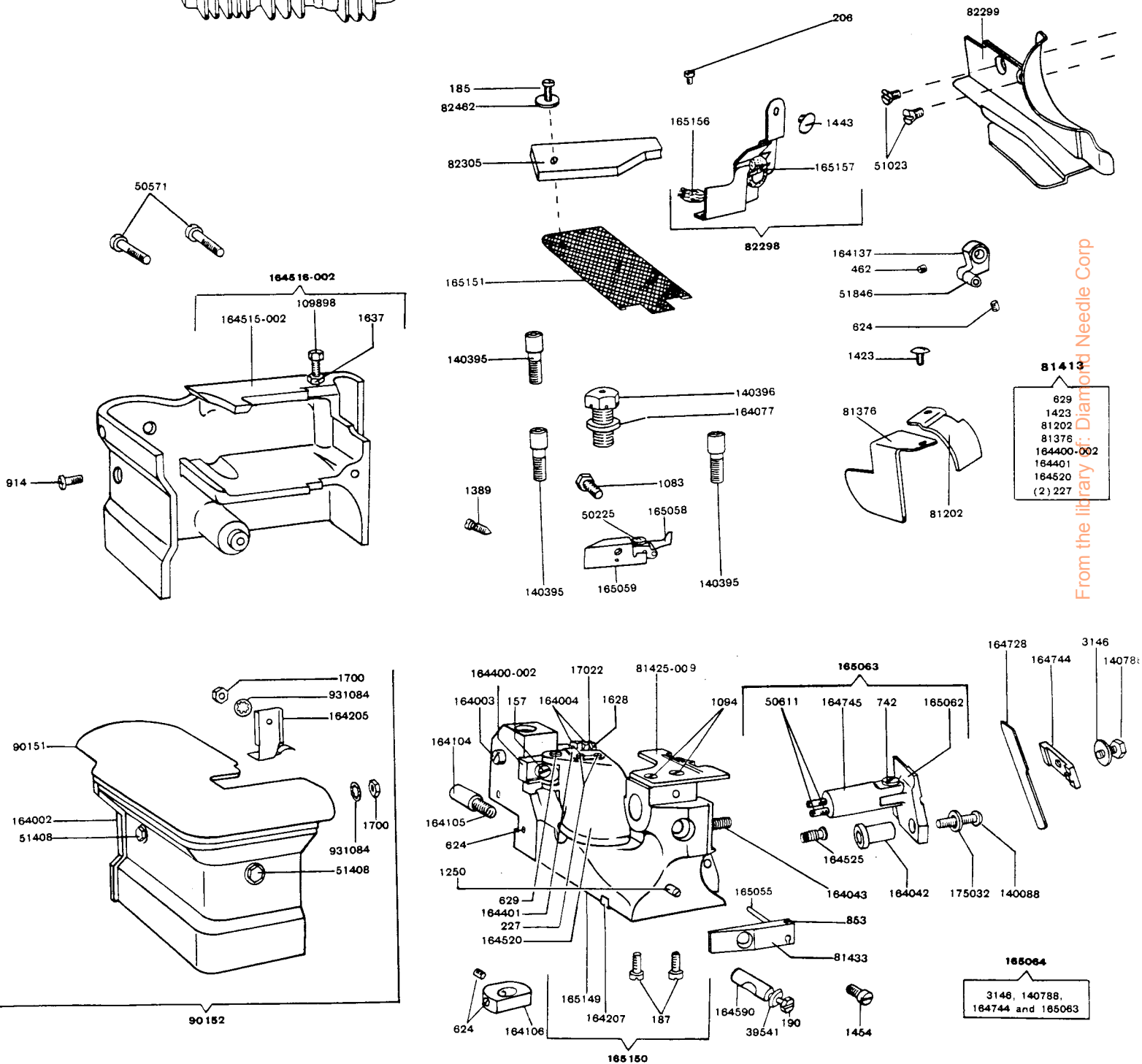


SINGER

460/12



SINGER 460/12



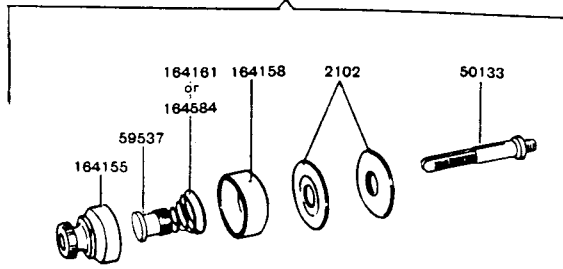
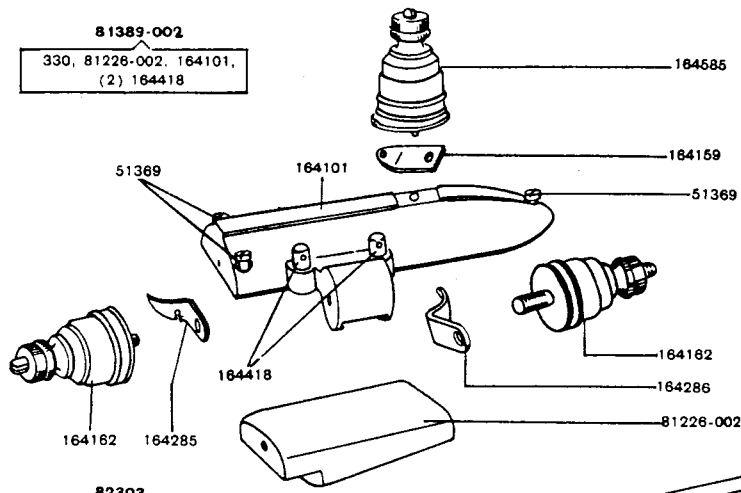
From the library of: Diamond Needle Corp

165064
3148, 140788,
164744 and 165063

81389-002

330, 81226-002, 164101,
(2) 164418

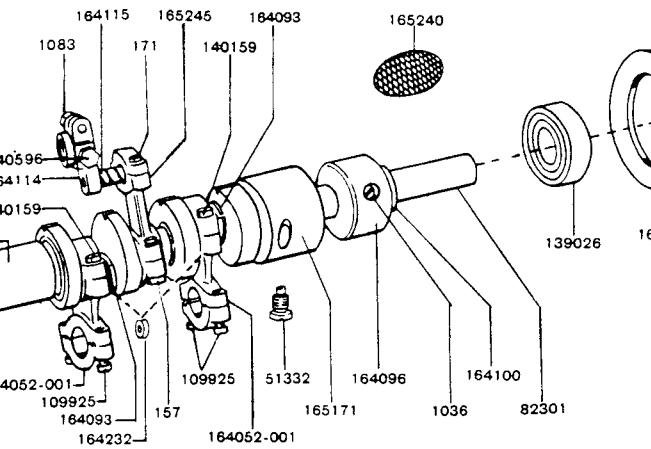
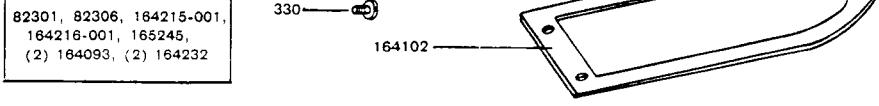
164585
or
164162



82303

82301, 82306, 164215-001,
164216-001, 165245,
(2) 164093, (2) 164232

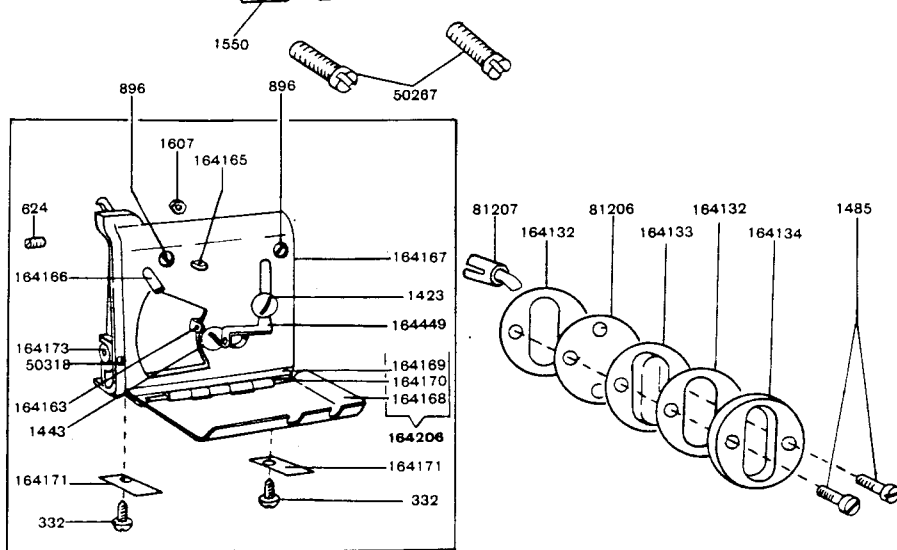
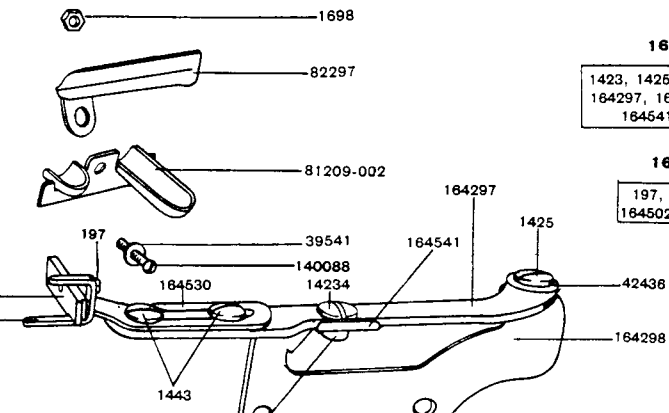
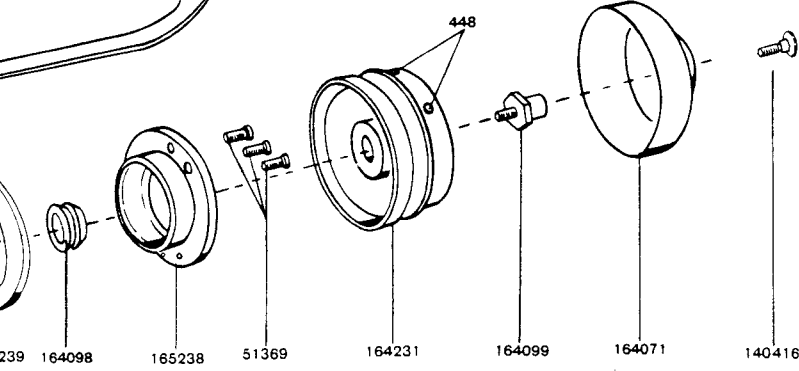
330



82295
1700, 82291, 82292, 109795,
109796, 164062-001, 164068,
165142, (2) 109927,
(2) 165182-002

164311
1423, 1425, 1550, 42436,
164297, 164298, 164503,
164541, (2) 1443

164503
197, 164229,
164502, 164530



From the library of: Diamond Needle Corp

LIST OF PARTS FOR 460/12 MACHINE

Part No.	Description	Part No.	Description
145(809)	Oil Cooler Cover Screw	1485(809)	Machine Frame Oil Drip Sight Gauge Window Retainer Screw
157(803)	Feed Eccentric Cover Bracket Screw	1550(809)	Guide (swing-out) Arm Lock Spring Screw Nut
157(830)	Needle Driving Shaft Crank Connection Cap (lower) Screw	1607(809)	Thread (spreader) Thread Eyelet (stationary) Nut
157(803)	Oil Reservoir Screw	1628(803)	Feed Bar Slide Block (back) Nut
171(830)	Needle Driving Shaft Crank Connection Cap (upper) Screw	1628(809)	Spreader Carrier Connecting Link Adjusting Screw (front) Stop Screw Nut
185(809)	Machine Frame Bracket Oil Screen Screw	1637(810)	Presser Bar Lifting Lever Stop Screw Nut
187(805)	Machine Frame Bracket Key Screw	1671(803)	Feed Bar Connection Hinge Screw Stud Nut
187(805)	Thread (spreader) Take-up Screw	1698(809)	Machine Frame Oil Lead Screw Nut
190(805)	Knife (stationary) and Needle Guard Holder Adjusting Stud Cap Screw	1700(809)	Cloth Plate Extension Screw Nut
190(805)	Thread (looper) Take-up Screw (lower)	1700(809)	Cloth Plate Lock Spring Nut
197(809)	Guide (swing-out) Extension Screw	1700(809)	Cloth Plate Position Screw Nut
198(809)	Knife (movable) Holder Screw	1700(809)	Presser Bar (swing-out) Lifting Screw Stud Nut
206(809)	Machine Frame Oil Splash Guard (internal) Screw (bottom)	1700(809)	Spreader Locking Screw Stud Nut
218(804)	Presser Foot Guide Screw	2102	Tension (heavy) Disc
227(809)	Feed Eccentric Cover Latch Spring Screw	2102	Tension (light) Disc
330(809)	Machine Frame Top Cover Oil Lead Screw	3146	Knife (stationary) Clamping Gib Screw Washer
332(809)	Thread (looper and spreader) Plate Cover Spring Screw	17022	Feed Bar Slide Block (back) Nut Washer
442(830)	Spreader Carrier Connecting Link Adjusting Screw (front) Stop Screw	17022	Thread (spreader) Take-up Screw Washer
447(830)	Knife (movable) Lever Bearing Set Screw (long)	39541	Knife (stationary) and Needle Guard Holder Adjusting Stud Cap Screw Washer
447(830)	Knife (movable) Lever Guide Holder Thread Tube Set Screw (machine frame end)	39541	Machine Frame Oil Lead Screw Washer
447(830)	Knife (movable) Lever Hinge Stud Set Screw (back)	42436	Guide (swing-out) Hinge Screw Washer
448(830)	Machine Pulley Set Screw	45057	Looper Driving Shaft Crank Key Screw Washer
460(830)	Knife (movable) Lever Guide Thread Tube Set Screw	45057	Spreader Driving Shaft Crank Key Screw Washer
460(830)	Looper Carrier Screw Set Screw	50060(810)	Presser Bar (swing-out) Opening Lever Hinge Screw
460(830)	Thread Eyelet (needle thread) Set Screw	50073(809)	Knife (movable) Lever Cover and Presser Bar (upright) Housing Screw
462(830)	Presser Bar Lifting Bracket Set Screw (short)	50133(803)	Tension (heavy) Screw Stud
624(830)	Cloth Plate Plunger Set Screw	50133(803)	Tension (light) Screw Stud
624(830)	Cloth Plate Position Collar Set Screw	50225(809)	Needle Guard Screw
624(830)	Knife (movable) Lever Bearing Set Screw (short)	50225(809)	Presser Foot Clamping Plate Screw
624(830)	Machine Frame Oil Tube Set Screw	50267(813)	Guide (swing-out) Arm Holder Screw
624(830)	Presser Bar Lifting Bracket Set Screw (long)	50318	Knife (movable) Hinged Cover Screw
624(830)	Thread (spreader) Tube Set Screw	50318(818)	Thread (looper and spreader) Plate Thread Bushing Screw
629(810)	Feed Eccentric Cover Hinge Screw	50379(806)	Looper Set Screw
691(803)	Machine Frame Wearing Plate Screw	50504(830)	Oil Cooler Plug Screw
742(806)	Knife (stationary) and Needle Guard Holder Screw	50571(809)	Machine Frame Cover (back) Screw (long)
853(830)	Looper Thread Tube Set Screw	50611(803)	Knife (stationary) and Needle Guard Holder Position Screw
896(830)	Thread (looper and spreader) Plate Screw	51023(818)	Machine Frame Oil Splash Guard (top) Screw
904(830)	Spreader Position Collar Set Screw	51139(809)	Oil Cooler Screw (long)
914(809)	Machine Frame Cover (back) Screw (short)	51332(803)	Machine Frame Rotary Shaft Bushing (intermediate) Set Screw
1036(830)	Machine Frame Rotary Shaft Bushing (front) Set Screw	51362(830)	Presser Bar (swing-out) Pivot Screw Locking Plate Screw
1036(830)	Machine Frame Rotary Shaft Counterbalance Set Screw	51369(803)	Machine Frame Rotary Shaft Ball Bearing Housing Screw
1083(803)	Looper Carrier Holder Clamping Screw	51369(809)	Machine Frame Top Cover Screw
1083(803)	Looper Driving Shaft Crank Clamping Screw	51408(830)	Cloth Plate Extension Screw
1083(803)	Needle Driving Shaft Crank Clamping Screw	51408(830)	Cloth Plate Position Screw
1083(805)	Needle Guard Holder Screw	51768(803)	Needle Clamping Nut
1083(803)	Spreader Driving Lever Clamping Screw	51846	Presser Bar Lifting Bracket Roller and Stud
1083(803)	Spreader Driving Shaft Crank Clamping Screw	59456	Looper Carrier Screw Washer
1094(806)	Throat Plate Screw	59537	Tension (heavy) Spring Bushing
1143(830)	Knife (movable) Lever Hinge Stud Set Screw (top)	59537	Tension (light) Spring Bushing
1209(809)	Chip Guard Screw (lower)	81201-005	Feed Eccentric (five stitches to the inch)
1250(830)	Cloth Plate Lock Spring Screw Stud	81202	Feed Eccentric Cover Bracket Oil Cover
1324(803)	Looper Carrier Screw	81203	Looper Driving Shaft Bushing (front)
1324(803)	Looper Driving Shaft Crank Key Screw	81204	Spreader Driving Shaft Bushing (front)
1324(809)	Oil Cooler Screw (short)	81206	Machine Frame Oil Drip Sight Gauge (background) Disc
1324(803)	Spreader Driving Shaft Crank Key Screw	81207	Machine Frame Oil Drip Sight Gauge Tube and Support
1389(830)	Feed Bar Hinge Pin Set Screw	81209-002	Machine Frame Oil Lead Tube Support
1423(809)	Guide (swing-out) Arm Lock Spring Screw	81225	Machine Frame Rotary Shaft Oil Metering Pin (internal)
1423	Knife (movable) Lever Guide and Needle Thread Bridge Bracket Screw	81226-002	Machine Frame Top Cover Oil Lead
1423	Knife (movable) Lever Guide and Needle Thread Bridge Eyelet Screw	81227	Oil Agitator (right hand)
1423(809)	Thread (spreader) Thread Eyelet Screw	81228	Oil Cooler
1423(819)	Feed Eccentric Cover Bracket Oil Cover Screw	81231	Machine Cushion
1425(809)	Guide (swing-out) Hinge Screw	81232	Machine Mounting Post
1443(819)	Oil Reservoir Lint Guard (back) Clamping Screw	81233	Oil Reservoir Oil Sump Screen Cover
1443(819)	Oil Reservoir Lint Guard (front) Clamping Screw	81237	Oil Agitator (left hand)
1443(809)	Guide (swing-out) Screw	81238	Oil Reservoir Lint Guard (back)
1443(809)	Machine Frame Oil Splash Guard (internal) Screw (top)	81263	Oil Reservoir Oil Sump Screen
1443(809)	Thread (looper) Take-up Screw (upper)	81376	Feed Eccentric Cover Bracket Splash Guard
1443(809)	Thread (needle) Contoller Screw	81389-002	Machine Frame Top Cover 164101 with 330(809), 81226-002 and two 164418
1443(809)	Thread (spreader) Take-up Eyelet (adjustable) Screw	81413	Feed Eccentric Cover, complete, Nos. 629(810), 1423(819), 81202, 81376, 164400-002, 164401, 164520 and two 227(809)
1454(806)	Feed Dog Screw	81425-009	Throat Plate
1454(805)	Throat Plate Guide Screw	81433	Throat Plate Guide with 853(830)
		82255	Knife (movable) Hinged Cover
		82256	Knife (movable) Hinged Cover Hinge
		82257	Knife (movable) Hinged Cover Pin
		82258	Knife (movable) Hinged Cover 82255 with 82256 and 82257

Part No.	Description	Part No.	Description
82259	Knife (movable) Hinged Cover Spring	140050(803)	Knife (movable) Clamp Screw
82262	Chip Guard	140082(805)	Oil Reservoir Oil Sump Screen Cover Screw
82263	Feed Lifting and Knife (movable) Eccentric	140088(805)	Knife (stationary) and Needle Guard Holder Sleeve Screw
82268-001	Thread (needle) Controller Lever		
82269	Thread (needle) Controller	140088(813)	Machine Frame Oil Lead Screw
82271	Presser Bar Bracket	140159(830)	Looper Driving Shaft Crank Connection Cap (upper) Screw
82272	Knife (movable) Lever with 109927(869)		
82273-001	Knife (movable) Lever 82272 with 82268-001, 82271, 132583 and 164035	140159(830)	Spreader Driving Shaft Crank Connection Cap (upper) Screw
82274	Knife (movable) Lever Cover and Presser Bar (upright) Housing with 460	140180(809)	Presser Foot Thread Chain Guard Screw
82275	Knife (movable) Lever Cover and Presser Bar (upright) Housing complete, Nos. 50060(810), 82258, 82259, 82274, 82281, 164137, 164139, 164142, 164143, 164194, 164416, 164138 and two 50318	140346(830)	Machine Frame Oil Plug Bracket Set Screw
		140393(830)	Looper Carrier Holder Set Screw (right) (not illustrated)
		140394(805)	Looper Driving Shaft Bushing (back) Cap Screw
82281	Thread Eyelet (needle thread)	140394(805)	Spreader Driving Shaft Bushing (back) Cap Screw
82282	Needle Holder Washer and Thread (needle) Controller (for purl stitch and two threads)	140395(805)	Machine Frame Bracket Screw (small)
		140396(805)	Machine Frame Bracket Screw (large)
82291	Spreader Carrier	140416(819)	Machine Pulley Cap Screw
82292	Spreader Carrier Connection Link	140509(809)	Chip Guard Screw (upper)
82293	Spreader Carrier 82291 with two each 109927(869) and 165182-002	140510(803)	Presser Bar (swing-out) Pivot Screw
82295	Spreader Driving Lever complete, Nos. 1700(809), 82291, 82292, 109795, 109796, 164062-001, 164068, 165142, two each 109927(869) and 165182-002	140596(830)	Looper Carrier Holder Set Screw (left)
		140596(830)	Needle Driving Shaft Crank Set Screw
		140596(830)	Spreader Driving Lever Set Screw
		140788(803)	Knife (stationary) Clamping Gib Screw
		164002	Cloth Plate Extension
82297	Machine Frame Oil Lead	164003	Feed Bar Hinge Pin Eccentric
82298	Machine Frame Oil Splash Guard 165156 with 165157	164004	Feed Bar Slide Block (back)
82299	Machine Frame Oil Splash Guard (top)	164006	Feed Bar with 164010
82301	Machine Frame Rotary Shaft	164008	Feed Bar Connection Bearing
82303	Machine Frame Rotary Shaft 82301 with 82306, 164215-001, 164216-001, 165245, two each 164093 and 164232	164009	Feed Bar Connection Hinge Screw Stud
		164010	Feed Bar Connection Hinge Screw Stud Position Pin (not illustrated)
82305	Machine Frame Bracket and Cover Back Gasket (rubber)	164017	Feed Bar Connection
		164027	Knife (movable) Clamp
82306	Machine Frame Rotary Shaft Key	164028	Knife (movable) Guard (lower)
82307	Needle Driving Shaft with 82309	164029-002	Knife (movable) Holder
82309	Needle Stop Pin (not illustrated)	164030	Knife (movable) Holder Screw Bearing
82310	Needle Driving Shaft Bushing	164032	Knife (movable) Lever Bearing
82311	Needle Driving Shaft Bushing Cap	164034	Knife (movable) Lever Hinge Stud
82312	Needle Holder	164035	Knife (movable) Lever Hinge Stud 164034 with 164036 and 164269
82329	Oil Cooler 81228 with 50504(830) and two 164125	164036	Knife (movable) Lever Hinge Stud Oil Wick (long)
		164042	Knife (stationary) and Needle Guard Holder Sleeve
82330	Presser Bar (swing-out)		
82333	Thread (looper and spreader) Plate, complete, Nos. 1423(809), 1443(809), 1607(809), 50318(818), 164163, 164165, 164166, 164167, 164173, 164206, 164449, two each 332(809) and 164171	164043	Knife (stationary) and Needle Guard Holder Spring
		164046	Looper Carrier with 460(830), 50379(806) and 164202
		164048	Looper Driving Shaft
82337	Knife (movable) Lever Guide	164049	Looper Driving Shaft Bushing (back)
82338	Knife (movable) Lever Guide and Needle Thread Bridge Bracket	164049	Spreader Driving Shaft Bushing (back)
82339	Knife (movable) Lever Guide and Needle Thread Bridge Eyelet	164051	Looper Driving Shaft Crank with 1083(803)
82340	Knife (movable) Lever Guide 82337 with 460, 82338, 82339, 164182 and two 1423	164052-001	Looper Driving Shaft Crank Connection with two each 109925(830) and 140159(830)
82462	Machine Frame Bracket Oil Screen Screw Washer	164052-001	Spreader Driving Shaft Crank Connection with two each 109925(830) and 140159(830)
87025	Looper	164053	Looper Driving Shaft Crank Thrust Bearing
87058	Spreader	164053	Spreader Driving Shaft Crank Thrust Bearing
90151	Cloth Plate	164062-001	Spreader Driving Lever with 1083(803) and two 140596(830)
90152	Cloth Plate with Extension, complete, Nos. 90151, 164002, 164205, two 931084 and three each 1700(809) and 51408(830)	164063	Spreader Driving Shaft
93195	Needle Driving Shaft 82307 with 51768(803), 82282 and 82312	164066	Spreader Driving Shaft Crank with 1083(803)
		164067	Looper Driving Shaft Crank Key
		164067	Spreader Driving Shaft Crank Key
93196	Presser Foot Thread Chain Guard	164068	Spreader Locking Screw Stud
107204	Oil Reservoir Drain Plug (magnetic)	164071	Machine Pulley Cap
107205	Oil Reservoir Gasket	164077	Machine Frame Bracket Screw (large) Washer (fibre)
109795(803)	Spreader Carrier Connecting Link Adjusting Screw (front)	164082	Machine Frame Oil Plug Bracket
109796(803)	Spreader Carrier Connecting Link Adjusting Sleeve Cap Screw (back)	164091	Thread (spreader) Take-up with 164555
109875	Machine Frame Rotary Shaft Bushing (front) By Pass Oil Control Screw	164093	Machine Frame Rotary Shaft Bail Sleeve
109876	Needle Driving Shaft Bushing Locating Screw	164096	Machine Frame Rotary Shaft Counterbalance with 1036(830)
109898(803)	Presser Bar Lifting Lever Stop Screw	164098	Machine Frame Rotary Shaft Oil Return and Ball Bearing Grease Retainer
109925(830)	Looper Driving Shaft Crank Connection Cap (lower) Screw	164099	Machine Frame Rotary Shaft Screw Stud
109925(830)	Spreader Driving Shaft Crank Connection Cap (lower) Screw	164100	Machine Frame Rotary Shaft Thrust Bearing
109927(869)	Knife (movable) Lever Hinge Pin Set Screw	164101	Machine Frame Top Cover
109927(869)	Spreader Carrier Connecting Link Hinge Pin Set Screw	164102	Machine Frame Top Cover Gasket
109927(869)	Spreader Carrier Hinge Pin Set Screw	164104	Cloth Plate Plunger
109935(830)	Lint Stripper Set Screw	164105	Cloth Plate Plunger Spring
113149	Machine Frame Rotary Shaft Nut	164106	Cloth Plate Position Collar with two 624(830)
132583	Knife (movable) Lever Hinge Pin with 132584	164114	Needle Driving Shaft Crank with 1083(803) and two 140596(830)
132584	Knife (movable) Lever Hinge Pin Oil Wick	164115	Needle Driving Shaft Crank Ball
132584	Spreader Carrier Connecting Link Hinge Pin Oil Wick	164121	Oil Cooler Cover
132584	Spreader Carrier Hinge Pin Oil Wick	164122	Oil Cooler Cover Gasket
139026	Machine Frame Rotary Shaft Ball Bearing	164123	Oil Cooler Cover 164121 with 164135
		164124	Oil Cooler Gasket
		164125	Oil Cooler Oil Pipe (right and left)
		164132	Machine Frame Oil Drip Sight Gauge Window Gasket
		164133	Machine Frame Oil Drip Sight Gauge Window

Part No.	Description	Part No.	Description
164134	Machine Frame Oil Drip Sight Gauge Window Retainer	164516-002	Machine Frame Cover (back) Nos. 164515-002 with 1637(819) and 109898(803)
164135	Oil Cup for filling machine	164520	Feed Eccentric Cover
164137	Presser Bar Lifting Bracket with 462(830), 624(830) and 51846	164525	Knife (stationary) and Needle Guard Holder Spring Stud
164138	Presser Bar Lifting Lever	164530	Guide (swing-out)
164139	Presser Bar Lifting Bracket Spring	164541	Guide (swing-out) Arm Lock Spring
164141	Presser Bar (swing-out) Lifting Screw Stud	164555	Thread (spreader) Take-up Guide Wire
164142	Presser Bar (swing-out) Opening Lever	164556	Knife (movable)
164143	Presser Bar (upright)	164584	Tension (light) Spring
164147	Presser Foot Clamping Plate	164585	Tension (light) complete, Nos. 59537, 164156, 164158, 164584 and two 2102
164155	Tension (heavy) Regulating Thumb Nut	164590	Knife (stationary) and Needle Guard Holder Adjusting Stud
164155	Tension (light) Regulating Thumb Nut	164660	Looper Carrier Holder with 1083(803), 140393(830) and 140596(830)
164156	Tension (heavy) Screw Stud 50133(803) and 164155 (not illustrated)	164661	Looper Carrier Holder 164660 with 1324(803), 59456 and 164046
164156	Tension (light) Screw Stud 50133(803) and 164155 (not illustrated)	164728	Knife (stationary)
164158	Tension (heavy) Spring Cover	164744	Knife (stationary) Clamping Gib
164158	Tension (light) Spring Cover	164745	Knife (stationary) and Needle Guard Holder with two 50611(803)
164159	Tension (needle thread) Thread Guide	165055	Looper Thread Tube
164161	Tension (heavy) Spring	165058	Needle Guard
164162	Tension (heavy) complete, Nos. 59537, 164156, 164158, 164161 and two 2102	165059	Needle Guard Holder
164163	Thread (spreader) Take-up Eyelet (adjustable)	165062	Knife (stationary) and Needle Guard Holder
164165	Thread (spreader) Thread Eyelet (stationary)	165063	Knife (stationary) and Needle Guard Holder (adjustable) complete, Nos. 742(806), 164745 and 165062
164166	Thread (spreader) Tube	165064	Knife (stationary) and Needle Guard Holder (adjustable) with Gib complete, Nos. 3146, 140788(803), 164744 and 165063
164167	Thread (looper) and Spreader Plate with 624(830)	165107	Feed Dog
164168	Thread (looper and spreader) Plate Cover	165134	Feed Bar Slide Block (front)
164169	Thread (looper and spreader) Plate Cover Hinge	165142	Spreader Carrier Connecting Link Adjusting Sleeve
164170	Thread (looper and spreader) Plate Cover Hinge Pin	165145-002	Spreader Carrier Connecting Link Hinge Pin
164171	Thread (looper and spreader) Plate Cover Spring	165145-002	Spreader Carrier Hinge Pin
164173	Thread (looper and spreader) Plate Thread Bushing	165149	Machine Frame Bracket
164175	Thread (looper) Take-up	165150	Machine Frame Bracket 165149 with 164207 and two 187(805)
164176	Thread (looper) Take-up Plate	165151	Machine Frame Bracket Oil Screen
164182	Knife (movable) Lever Guide Holder Thread Tube	165152	Machine Frame Oil Screen
164194	Pressure Regulating Thumb Screw	165153	Machine Frame Oil Tube
164202	Looper Stop Pin	165154	Machine Frame Oil Tube Wick
164205	Cloth Plate Lock Spring	165156	Machine Frame Oil Splash Guard (internal) Oil Wick
164206	Thread (looper and spreader) Plate Cover 164168 with 164169 and 164170	165157	Machine Frame Oil Splash Guard (internal) Oil Wick Fastener
164207	Machine Frame Bracket Key	165159	Machine Frame Wearing Plate
164215-001	Looper Driving Shaft Crank 164051 with 164052-001	165160	Machine Frame Wearing Plate Spacer
164216-001	Spreader Driving Shaft Crank 164066 with 164052-001	165170	Machine Frame Rotary Shaft Bushing (front)
164219	Spreader Position Collar with 904(830)	165171	Machine Frame Rotary Shaft Bushing (intermediate)
164231	Machine Pulley with two 448(830)	165173	Oil Reservoir with 165232
164232	Machine Frame Rotary Shaft Ball Sleeve Guide	165182-002	Spreader Carrier Connecting Link Hinge Pin 165145-002 with 132584
164269	Knife (movable) Lever Hinge Stud Oil Wick (short) (not illustrated)	165182-002	Spreader Carrier Hinge Pin 165145-002 with 132584
164277	Feed Bar Guide (roller)	165185	Machine Frame Oil Tube 165153 with 165154
164278	Feed Bar Spacing Collar	165209	Feed Bar complete, Nos. 1671(803), 164004, 164006, 164008, 164009, 164017 and 165134
164285	Tension (looper thread) Thread Guide (left)	165232	Oil Reservoir Oil Sight Gauge (lucite)
164286	Tension (looper thread) Thread Guide (right)	165237	Oil Reservoir Lint Guard (front)
164293	Looper Driving Shaft Bushing (back) Cap Screw Washer	165238	Machine Frame Rotary Shaft Ball Bearing Housing
164293	Spreader Driving Shaft Bushing (back) Cap Screw Washer (fibre)	165239	Machine Frame Rotary Shaft Ball Bearing Housing Gasket
164297	Guide (swing-out) Arm	165240	Machine Frame Rotary Shaft Bushing (intermediate) Oil Screen
164298	Guide (swing-out) Arm Holder	165245	Needle Driving Shaft Crank Connection with 164115
164299	Guide (swing-out) Extension (upper)	175032	Knife (stationary) and Needle Guard Holder Sleeve Screw Washer
164303	Presser Foot Guide	931084	Cloth Plate Extension Screw Nut Lock Washer
164311	Guide (swing-out) with and Arm Holder complete. Nos. 1423(809), 1425(809), 1550(809), 42436, 164297, 164298, 164503, 164541 and two 1443(809)	931084	Cloth Plate Lock Spring Nut Lock Washer
164345	Feed Eccentric Oil Wick (not illustrated)		
164351	Presser Bar (swing-out) Pivot Screw Locking Plate		
164400-002	Feed Eccentric Cover Bracket with 164345		
164401	Feed Eccentric Cover Latch Spring		
164416	Presser Bar (upright) Spring (heavy)		
164418	Tension Thread Eyelet		
164438	Presser Foot Chaining-off Finger		
164449	Thread (spreader) Thread Eyelet (movable)		
164458	Knife (movable) Guard (upper)		
164462	Lint Stripper with 109935(830)		
164471	Presser Foot Body		
164474	Presser Foot complete, for light and medium fabrics, Nos. 218(804), 50225(809), 164147, 164303, 164438 and 164471		
164502	Guide (swing-out) Extension (lower)		
164503	Guide (swing-out) with Extension complete, Nos. 197(809), 164299, 164502 and 164530		
164515-002	Machine Frame Cover (back)		

PARTS CHART

FOR

SINGER*

460/12

MACHINE

From the library of: Diamond Needle Corp